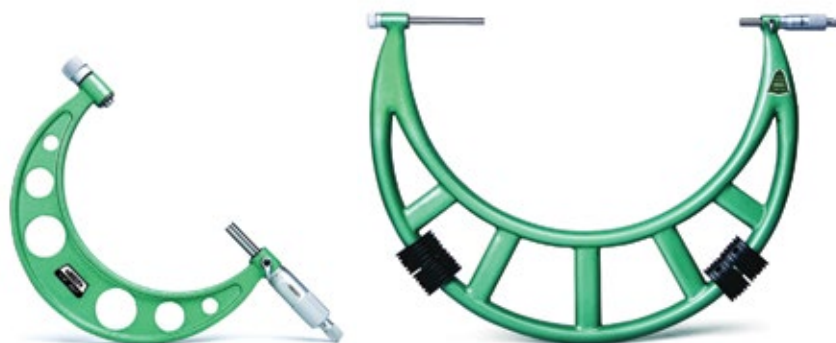


Outside Micrometers

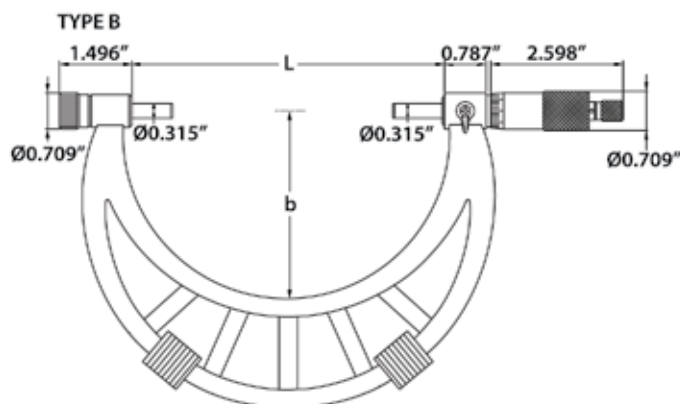
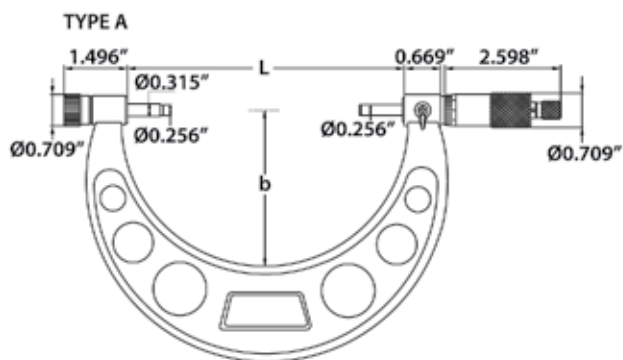
With Interchangeable Anvils



- Graduations: 0.0001" (up to 12"), 0.001" (over 12")
- Micrometers up to 12" have cast frame, over 12" have pipe frame
- Ratchet stop
- Carbide tips
- Supplied with setting standards
- Supplied in fitted storage case

281182

281188



MICROMETERS

Range (Inch)	Type	Accuracy (Inch)	L (Inch)	b (Inch)	Setting Standards Included (Inch)	INSIZE No.	Code
0-2	A	±0.00015	2.283	1.378	1	3206-2	281180
0-4	A	±0.00020	4.252	2.244	1, 2, 3	3206-4	281181
0-6	A	±0.00025	6.220	3.228	1, 2, 3, 4, 5	3206-6	281182
4-8	A	±0.00030	8.189	4.488	4, 5, 6, 7	3206-8	281185
6-12	A	±0.00035	12.126	6.496	6, 7, 8, 9, 10, 11	3206-12	281186
8-12	A	±0.00035	12.126	6.496	8, 9, 10, 11	3206-12I	281187
12-16	B	±0.00045	16.102	8.819	13, 15	3206-16	281188
16-20	B	±0.00050	20.039	10.827	17, 19	3206-20	281189
20-24	B	±0.00055	23.976	12.638	21, 23	3206-24	281190
24-28	B	±0.00065	27.913	14.606	25, 27	3206-28	281191
28-32	B	±0.00070	31.850	16.772	29, 31	3206-32	281192
32-36	B	±0.00080	35.787	18.740	33, 35	3206-36	281193
36-40	B	±0.00085	39.724	22.677	37, 39	3206-40	281194

Outside Micrometer Set



Range (Inch)	Graduation (Inch)	Included in Set	Code
0-3	0.0001	0-1", 1-2", 2-3"	103-922